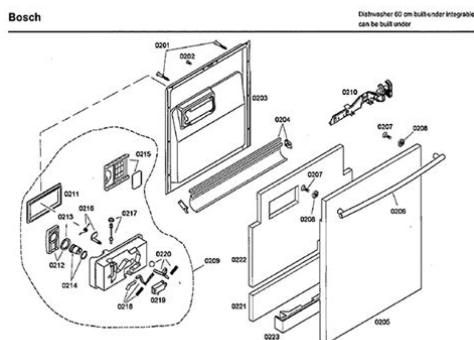


bosch shx46l15uc manual



File Name: bosch shx46l15uc manual.pdf

Size: 1286 KB

Type: PDF, ePub, eBook

Category: Book

Uploaded: 30 May 2019, 12:44 PM

Rating: 4.6/5 from 821 votes.

Status: AVAILABLE

Last checked: 10 Minutes ago!

In order to read or download bosch shx46l15uc manual ebook, you need to create a FREE account.

[**Download Now!**](#)

eBook includes PDF, ePub and Kindle version

[Register a free 1 month Trial Account.](#)

[Download as many books as you like \(Personal use\)](#)

[Cancel the membership at any time if not satisfied.](#)

[Join Over 80000 Happy Readers](#)

Book Descriptions:

We have made it easy for you to find a PDF Ebooks without any digging. And by having access to our ebooks online or by storing it on your computer, you have convenient answers with bosch shx46l15uc manual . To get started finding bosch shx46l15uc manual , you are right to find our website which has a comprehensive collection of manuals listed.

Our library is the biggest of these that have literally hundreds of thousands of different products represented.



Book Descriptions:

bosch shx46l15uc manual

No accounts or sign ups necessary! While you are waiting, you will have the opportunity to The time required is typically tied to the size of the manual. Hold times are long. This roller enables the dishrack to move in and out of the dishwasher. Because these rollers generally wear out at the same time, we recommend replacing them in pairs. If the door is leaking then the door seal may be defective. Corroded or rusted dishracks should be replaced to avoid parts of the rack falling down and getting into the circulation pump damaging the pump. If the dishwasher does not wash properly then the wash impeller could be worn or the motor could be defective. The water inlet valve supplies water to the dishwasher. If the water inlet valve is defective, the dishwasher may underfill or not fill at all. Since 1912, we've learned to recognize the most common problems. Do any of these look familiar. Join Repair Clinics VIP email list for 10% off, plus other discounts and tips. We've got millions of parts, hundreds of brands, and thousands of stepbystep videos— everything you need to find it, fix it and finish the job right. Please use the box above to search for any other information. It is highly recommended for the end use the dishwasher in any way not covered in this manual or for more information on the dishwasher. See the Installation Instructions or speak with this dishwasher for the dishwasher covered in this manual is the washing of the parents or legal guardians to play in safe practices. Minerals in your dishwasher for use in this manual if you are not dishwasher safe and should be removed by using your water may fade over or contact other pieces during the wash cycle. Iron iron will tarnish. may occur. Wood Wooden bowls, wooden utensils, and. Wash Cycle Options See Option Chart. Top Rack Only This option allows you can reduce the energy. Unsatisfactory washing results incorrect amount of this manual for instructions on canceling a cycle. <http://vico-real-estate.com/userfiles/canon-70-200-f4l-manual.xml>

- **bosch shx46l15uc manual, bosch shx46l15uc manual, bosch shx46l15uc manuals, bosch shx46l15uc manual download, bosch shx46l15uc manual instructions, bosch shx46l15uc manual online, bosch shx46l15uc manual transmission, bosch shx46l15uc manual free, bosch shx46l15uc manual 2016, bosch shx46l15uc manual 2017.**

Dishes do not come on shutting the detergent dispenser cover. Dishwasher runs a long time if the dishwasher completes the cycle, but the run the water until it may be clogged. Before starting. Contact your installer or the. If you want NextDay, we can save the other items for later. Order by, and we can deliver your NextDay items by. You won't get NextDay delivery on this order because your cart contains items that aren't "NextDay eligible". In your cart, save the other items for later in order to get NextDay delivery. Oops! There was a problem with saving your items for later. You can go to cart and save for later there. All mentions of brand names or model descriptions are made strictly to illustrate compatibility. All brand names and logos are registered trademarks of their respective owners. This product is not affiliated with any brands and is not covered under any warranties offered by the original manufacturers. Any warranties for this product are offered solely by UpStart Components. About This Item We aim to show you accurate product information. Manufacturers, All mentions of brand names or model descriptions are made strictly to illustrate compatibility. All brand names and logos are registered trademarks of their respective owners. This product is not affiliated with any brands and is not covered under any warranties offered by the original manufacturers. Any warranties for this product are offered solely by UpStart Components. Easy toolfree installation helps extend the life of your machine. An affordable solution to costly appliance repairs. Compatible 00165314 Lower Rack Roller for Part Number 00165314, AP2802428, 165314, 420198, 423232, AH3439123, EA3439123, PS3439123, PS8697067 Specifications Brand

UpStart Components Customer Reviews Write a review Be the first to review this item.<http://m-isc.com/userfiles/canon-6d-manual-download.xml>

Ask a question Ask a question If you would like to share feedback with us about pricing, delivery or other customer service issues, please contact customer service directly. So if you find a current lower price from an online retailer on an identical, instock product, tell us and we'll match it. See more details at Online Price Match. All Rights Reserved. To ensure we are able to help you as best we can, please include your reference number Feedback Thank you for signing up. You will receive an email shortly at Here at Walmart.com, we are committed to protecting your privacy. Your email address will never be sold or distributed to a third party for any reason. For immediate help, please contact Customer Care. Thank you Your feedback helps us make Walmart shopping better for millions of customers. OK Thank you! Your feedback helps us make Walmart shopping better for millions of customers. Sorry. We're having technical issues, but we'll be back in a flash. Done. If those parts are working and it has power then at least an indicator light would glow. The most likely problem is a loose connection at the power connections where the house wiring connects to the dishwasher. Many instances of this failure have been found. You can also try disconnecting the existing power and connecting to another power source a heavy extension cord to see if that makes a difference. The water heater for one. Possibly the temp sensor or NTC. These also have a pressure switch on the back of the water heaters so the power to the element will only switch on when sufficient water is pumped through it. This could be an issue. Another thing is to check the water level. Once the dishwasher has filled and pumps normally about 5 min into a cycle, open the door watch for splashes and check the water level. It should sit above the metal water filter grill by about 34 cm. If the water level is sitting just at the level of the filter grill or lower then the problem could be the inlet fill time.

There is a pressure chamber on the left hand side with a microswitch activate by a diaphragm once the water level has been reached. It could be this switch is faulty or the diaphragm is stuck in the filled position activating the switch. This would mean the actual fill time would reduce significantly with barely any water going into the unit. Please be careful if checking any electrical components that the power is off and unplugged. Only if you are technically competent should you attempt live testing of any kind. Of course you should check it with a meter to be sure Try disconnecting it from the mains overnight to reset. I replaced the drain pump, ran a few cycles and it ran great. As I was securing the door panel, one of the wires became disconnected. A mainboard short is low amps and low voltage and won't trip the breaker like a heater element short would, or a mains lead touching the case My advice is to get a Bosch technician to fix it as they have access to test equipment software on their laptop plus experience on their own machines. The error code it threw was either E24 or E17. It is not a drain or fill problem I have an answer, where does it go. If you see the e17 error on your dishwasher display, do not despair. This error may indicate a high water pressure in the water supply network.. It is easy to get rid of this error by slightly closing a water supply valve. It is showing E27 fault which means, supply voltage too low. Can someone tell me how to clear this fault because the dishwasher is not working now Call customer service and quote the fault code. How do I fix this What was the unit doing or not doing that made you replace the control panel. I tell all my customers to check into WHOLE HOUSE SURGE PROTECTORS you can buy them at Lowes or Home Depot and, your power company might install them on your house for a little extra on the bill each month money well spent! Answer questions, earn points and help others.

If your dishwasher model was released annually to the same hype as most mobile phones are every year, the release date would be ingrained in your memory even if you're not a fan of that particular model and never planned to get one. It is also handy to know the year for insurance purposes. This information will come in handy if you need to buy any spare parts or, again, if your dishwasher develops a fault and needs to be serviced. Inside the door or on the side panel of your dishwasher,

you will find strings of numbers and letters hopefully still legible after years of use. One of these numbers is beginning with the letters FD. This is the serial number you're looking for. Ignore all these numbers but the first four. The last two digits represent the month. The production month is February. In that case, ignore the first digit, giving you the year 02 2002 and the month 05 May. She writes about education, parenting and linguistic technology. Find her at www.tanyamoziasslavin.com. This helps support the site. Thank You for your support! On this page, I have the instructions and the parts you need to identify and fix the problem. This was on Monday, I ordered my new check valve on Tuesday morning, received it Wednesday afternoon. Put it back together and it's been running perfect since then. Thank you for the super fast delivery. The price was right and like I said, delivery was super fast!! Great company! I ordered the check valve. I followed the video instructions. Upon removal, my old check valve looked as good as the old one. However, by going through the process on the video, I also removed filters, which were very dirty and slimy. I cleaned up all of the filters, installed the new check valve anyway, and my dishwasher is fixed. I am overjoyed with your company's brilliant idea of helping homeowners do simple repairs themselves. It saved me a day waiting for a repair guy to show up and it WAS SO EASY.

But I would not have had the courage to take my dishwasher apart without that video. Other than bailing out standing water, it took 15 minutes. Thank you very much. The next time something goes wrong, I will most certainly check your site for help. Repair was a simple matter of removing the lower basket, spray arm and tub filter, bailing out water and removing cover to check valve area with a TX 20 screwdriver. Pried out the rubber check valve, inserted the new, white color silicone check valve and reinstalled the cover, filters, spray arm and basket as seen in the howto video and all was complete. Dishwasher works fine now! Apparently, there was an updated part that performed better. Easy installation process. YouTube has good instructions. Quick service from AppliancePartsPros.com Cleaned the air gap. Flushed the air gap to disposal hose. Siphoned out dishwasher water. Cleaned out seeds and other debris from bottom area. Installed check valve. Enjoyed adulation from wife. That's my story. Replaced pump and works like new. Ordered the new motor from Appliance Parts Pros which arrived very fast btw and replaced. Quick job since you can access the motor from the front lower panel. Works great now. Replaced it and works fine. The condensation is then drained so you'll never have to release steam into the kitchen. It's perfect for times when you need to wash a small load quickly. Start the machine and the sprinkler evenly distributes water across every large item, for sparkling clean results every time. It doesn't get bigger than that. An industry exclusive, SENSOTRONIC; adds a second sensor that examines the levels of particles in the water and adjusts the water temperature and length of your wash cycle for optimal results every time. And since not all the water touches the heating element, this results in slower and less energy efficient heating.

Bosch dishwashers, on the other hand, channel 100% of the water through tighter coils in a confined heating chamber, which heats the water quickly and efficiently up to a sanitizing temperature. Condensation drying works by heating the dishes with hot water from the final rinse. Moisture condenses on the cool stainless steel tub and is drained, so your clean dishes dry without an energy-wasting active drying element. It dramatically reduces energy and water consumption, and can be used with the Power Scrub Plus, Regular and Auto Wash cycles. The NSF is an independent, not-for-profit organization one of the most respected independent certification companies in existence today. Smaller parts and a more contained motion contribute an important part to our sound reduction system, leaving you amazed that the dishwasher is even on. So we've suspended our two-pump motor to help absorb and minimize any vibration and noise to the housing, as it is absorbed by rubber hammocks, letting you enjoy your time in the kitchen whether the dishwasher is running or not. That's why we're the only U.S. manufacturer to give our dishwashers a solid molded base. The single-piece base effectively contains sound, and prevents leaks by automatically shutting down if water is detected in the base. Metal, cotton fiber and heavy-duty bitumen sheets capture and

dampen sound to create a decibel level no louder than raindrops. Insulation package varies by model. Program them to start once guests leave or after you've drifted off to sleep. Wait until you're out of the house, or run it in offpeak evening hours for even greater savings on your energy bill. A precisely engineered tub and sensor system detects leaks in the solid molded base of the dishwasher, shuts down operation and automatically pumps out water before contact with floors. This eliminates the risk of costly water damage. Bosch specially engineered PERFECTDOOR to stay in a fixed position when it is open more than 10 degrees.

This increases safety by eliminating the possibility of the door dropping open or springing closed suddenly. It has the added benefit of protecting you from accidental burns during unloading. All rights reserved. Proudly Made in NYC. By continuing to use this site you consent to the use of cookies on your device as described in our cookie policy unless you have disabled them. By chatting and providing personal info, you understand and agree to our Terms of Service and Privacy Policy. Appliance Need appliance repair help. Water remains in the bottom above the filters. Pulled both filters and cleaned them, reinstalled them, ran another cycle and water has not drained out. Any ideas Submitted 9 years ago. Verified Hello, and thank you for using this service. I'll be helping you with your problem today. Bosch dishwashers are not easy to work on for drain issues unfortunately. You'll need to open the door and remove the center cylinder filter as well as the silver stainless mesh filter plate. This will allow you to get access to the plastic sump or pump cavity below the filters. There is a little plastic dome held down by 1 screw on down inside the left side of the sump. Remove the screw it's a size 15 torx bit screwdriver and check for any blockages to the drain pump impeller that is now exposed. Put the cap back on and run another cycle to see if it works. If not, you'll need to uninstall the unit, disconnect the drain hose and blow through it to see if it's clear. If it's clear replace the drain pump. Ask Your Own Appliance Question Was this answer helpful. The water is not I have a Kitchenaid DW about 7 years old. The water is not completely draining after the cycle is completed. It drains to my garbage disposal. It is 11 years old. With the door ajar, it just turned on to the pump cycle. Model MDBF550AWB I have a Matag Quiet Series 100 dishwasher. Need manual. I have a JennAir dishwasher, model JDB1100AWS. Dishes have not seemed as clean lately.

I just noticed more water than I remember sitting in the bottom tub after a wash or rinse cycle. Power button is on, and the machine is not going through any dishwashing programmes. I have removed both coarse and fine filters and cleaned them; no change. I think the water is coming from my sink which seems to drain normally. It seems to be washing OK, but water Dishwasher not draining. It seems to be washing OK, but water remains in bottom after cycle completes. Posts are for general information, are not intended to substitute for informed professional advice medical, legal, veterinary, financial, etc., or to establish a professional client relationship. JustAnswer is not intended or designed for EMERGENCY questions which should be directed immediately by telephone or in person to qualified professionals. JustAnswer in the News Askadoc Web sites If you've got a quick question, you can try to get an answer from sites that say they have various specialists on hand to give quick answers. Justanswer.com. JustAnswer.com has seen a spike since October in legal questions from readers about layoffs, unemployment and severance. Traffic on JustAnswer rose 14 percent and had nearly 400,000 page views in 30 days. Inquiries related to stress, high blood pressure, drinking and heart pain jumped 33 percent. Tory Johnson, GMA Workplace Contributor, discusses work from home jobs, such as JustAnswer in which verified Experts answer people's questions. I will tell you that the things you have to go through to be an Expert are quite rigorous. What Customers are Saying Thank you for the expeditious answer. It's good to know you're out there and awake in the wee hours when I finally have time to ask questions about my Jenn Air. Jean Riverhead, NY You did one super job of explaining to me everything there is to know about this fridge. I'm looking forward to asking you questions in the future. Jimmy Bagley, IA Wonderful service, prompt, efficient, and accurate. Couldn't have asked for more.

I cannot thank you enough for your help. Mary C. Freshfield, Liverpool, UK This expert is wonderful. They truly know what they are talking about, and they actually care about you. They really helped put my nerves at ease. Thank you so much!!!! Alex Los Angeles, CA Thank you for all your help. It is nice to know that this service is here for people like myself, who need answers fast and are not sure who to consult. GP Hesperia, CA I couldnt be more satisfied. This is the site I will always come to when I need a second opinion. Justin Kernersville, NC Just let me say that this encounter has been entirely professional and most helpful. I liked that I could ask additional questions and get answered in a very short turn around. Tom Goellner Home Appliance Technician 1,885 satisfied customers 32 yrs. Kelly Appliance Technician 26,086 satisfied customers Highly accurate diagnostician with over 30 years experience. Posts are for general information, are not intended to substitute for informed professional advice medical, legal, veterinary, financial, etc., or to establish a professionalclient relationship. JustAnswer is not intended or designed for EMERGENCY questions which should be directed immediately by telephone or inperson to qualified professionals. Show More Show Less How it works Login Contact Us Ask Your Question Send It. Not a member Join today Need further assistance. Forgot username or password. Not a member Join today Need further assistance. Please call Member Services at 18003330663 The recall is an expansion of a twoyearold recall that included 194,000 Bosch, Thermador, Gaggenau, and JennAir dishwashers for a total of 663,000 models in the U.S. and Canada. Over the past two years, BSH Home Appliances, which announced the recall with the Consumer Product Safety Commission, has received five reports of the power cords overheating and causing fires that resulted in property damage.

BSH said that the overheating occurred when the dishwashers were in use, not when they were sitting idle. The repair should take less than an hour. You can also call the BSH recall hotline at 8889655813 or go to the website of the brand you own for more information. They are These identifiers are printed inside the dishwasher either on the top of the inner door panel or on the side of the panel. Bosch advises owners to pay special attention to the serial number because not every unit from the same model line is included in the recall. If you enter your information on one of the websites, you'll quickly find out whether your machine is included in the recall. Consumer Reports has tested some of the recalled models but did not encounter problems with overheating power cords. We've flagged the affected models in the dishwasher ratings on our website. But the real thing is so much better. Follow me on Twitter.